

Advanza Crown Case Data Sheet

Climate class 3:	25°C/60% r.h	The technical data indicated refer to a standard cabinet equipment (see sectional view on the reverse). The installed electrical loads refer to 230 V (electrical consumers).
------------------	--------------	---

Dimensions and weights	Module		AMADRO135	AMADRO155	Unit		
	Module Length			2195	2195	mm	
Temperature	M2(Dairy)		4~12	4~12	°C		
	M1(Meat)		/	/	°C		
Effective Volume			0.70	0.82	m ³		
Display area			3.15	3.67	m ²		
Gross weight			220	225	kg		
Refrigeration data	Refrigeration load (Q _{0eff})	ti1) ≤4~12 °C, t _{0eff} 2) = -4°C	1.60	1.90	kW		
	Expansion valve orifice / E-Valve(exworks)	TES2	R 404A			Type	
AKV10		R 404A					
Installed electrical load	Lighting	Standard		105W	123W	w	
		Option					
	Heaters	Defrost heater	Standard		-	-	w
		Anti-heater	Standard		52	52	w
	Fan motors-evaporator (Number *Power)		Standard		36W*2	36W*2	w
	Fan blade-evaporator						Type
Internal fittings	Shelves (without bottom deck)	Standard		2	3	Rows	
		Option		3	4		
	Shelf depth	Standard		—		mm	
		Bottom deck		—			
Recommended settings ³⁾	Supply air temperature	M2		/		°C	
		M1		/			
	Return air temperature	M2		/			
		M1		/			
	Defrost termination temperature				/		
	Warning temperature				/		
	Defrost safety times (Number x Duration)				/		min / 24 h

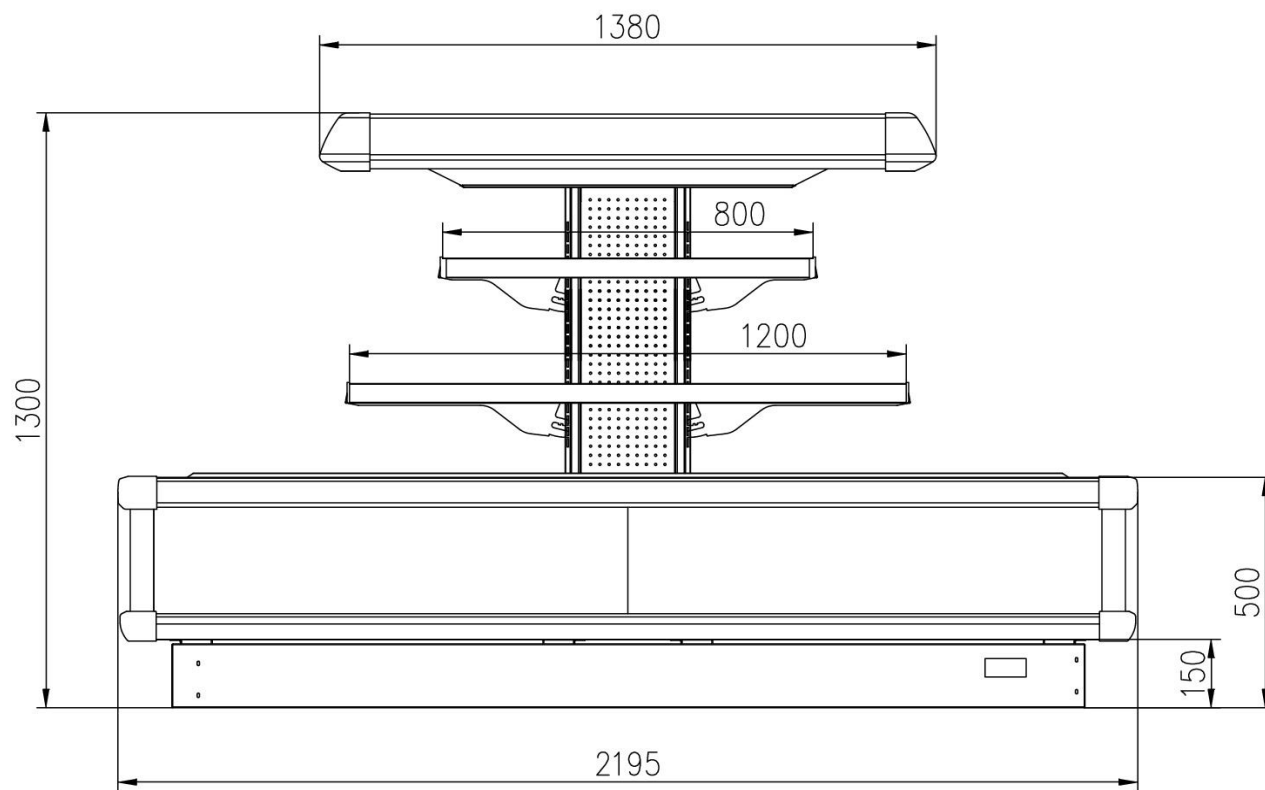
1) ti = case temperature

2) t_{0eff} = evaporation temperature (effective value)

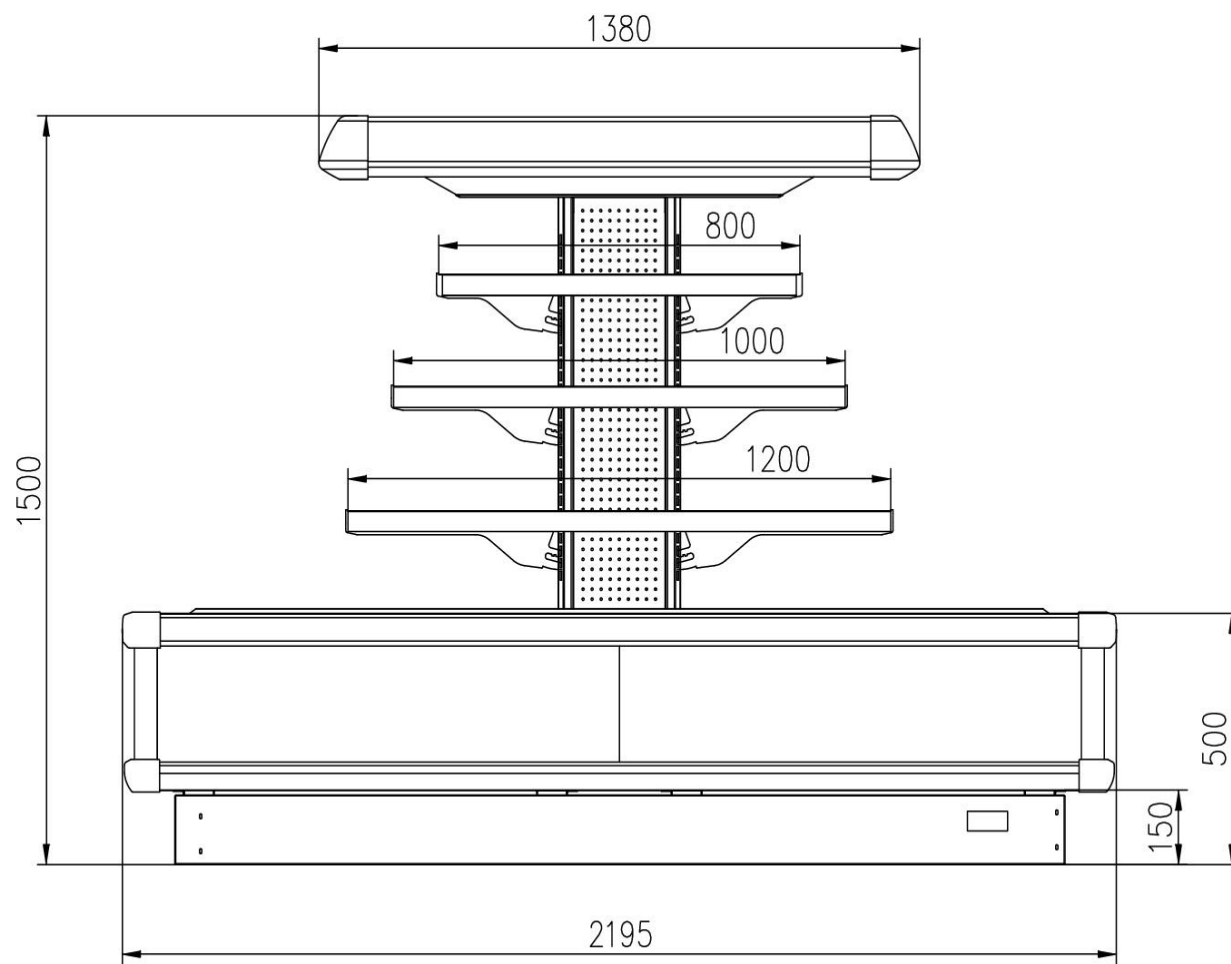
3) = valid for control Carel PJEZS or Danfoss

Advanza Crown Case Data Sheet

Sectional View



AMADRO135



AMADRO155